

Winterm™ 2300

High-performance Windows®-Centric Thin Clients

The Winterm series of award-winning advanced thin clients is a powerful business alternative to character terminals and personal computers for better cost efficiency, improved ease-of-use, and superior information systems data security. These new Winterm desktops seamlessly integrate access to both Windows-based and legacy applications, including the newest Internet and intranet applications. The Winterm 2300 model is the high-performance, modular solution for users who require the freedom to choose the monitor that best suits their needs.

Key Features

- Display Windows 3.1, Windows 95, Windows NT, and DOS (text) applications via multiuser Windows NT applications servers
- Modular design connects to WYSEvision™ or other VESA standard 9- and 21-inch monitors
- Centralized administrative software control
- Local or remote Internet- and intranet-based applications
- ICA® 3 protocol compliant
- Dual high-speed serial ports
- Bi-directional parallel port
- Optional network interfaces
- Three-year warranty

Winterm™

Key Benefits

- Delivers the number one application base to users
- Freedom to choose the monitor that best suits your needs
- Dramatically decrease administrative costs and upgrade requirements
- Designed to support current and future applications
- Plug and play with ICA-compliant software packages
- Support for magstrip and advanced serial peripherals
- Local printer support
- Multiple connectivity options
- Quiet, durable, reliable



WYSE
| | | |

THE LEADING MICROSOFT® WINDOWS-CENTRIC THIN CLIENTS

The Winterm desktop series delivers the performance, security and reliability of a Microsoft Windows NT Server and Windows 3.1, Windows 95 and Windows NT applications. So, Winterm desktops eliminate the need for more expensive desktop PCs. By dramatically expanding access to 16- and 32-bit Windows applications, they deliver the best attributes of shared host and client/server computing models to both large and small workgroups.

As the first Windows-centric thin clients designed for intranet- and Internet-compatibility, Winterm desktops deliver on the promise of low-cost access to these exciting new communications and information technologies. In addition, they offer simplicity, quiet operation, reliability and versatility. And, they allow location independence by affording access to a user's data, with their individual desktop layout, applications and icons—from any Winterm desktop. So, users are no longer "chained" to a specific PC. Administrators can even mirror or "shadow" any user's desktop, monitoring or taking remote control, for more effective user training or remote technical support.

Because of their performance, data security and control, Winterm desktops are an intelligent choice for database access, accounting, banking, point-of-sale and other general productivity and transaction processing applications.

WINTERM 2300— THE VERSATILE, PERFORMANCE CHOICE

The Winterm 2300 comes standard with a mouse and an enhanced PC-style keyboard, both designed for exceptional user comfort and long life and connects to any WYSEvision or other VESA-standard monitor. Also included are dual serial ports (up to 115.2 Kbits/sec for serial connection to peripherals like magnetic stripe readers or bar code scanners or an application server or serial printers), an enhanced parallel port for parallel printers, and PS/2-style mouse and keyboard ports.

WINTERM 2300T ETHERNET NETWORK VERSION

Winterm 2300T includes all the features of the Winterm 2300, and adds integrated 10BaseT networking for additional performance. The 10BaseT interface supports TCP/IP and PPP for compatibility with Windows NT, UNIX systems, and the Internet.

WINTERM 2300SE TOKEN RING READY

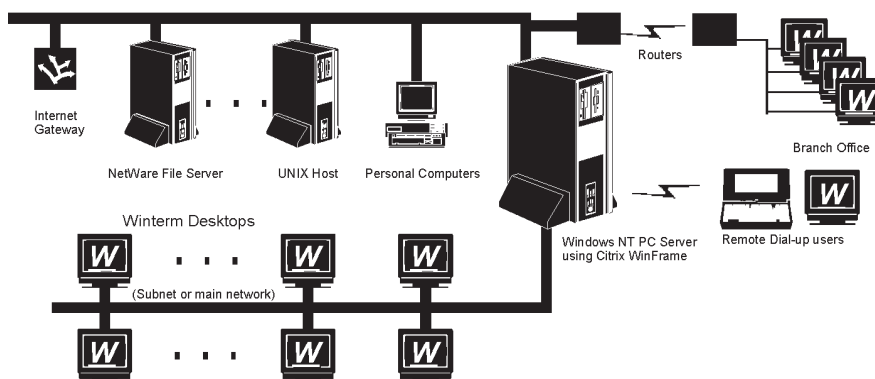
The Winterm 2300SE provides all of the features of the Winterm 2300T, and adds an integrated PCMCIA Type II slot. Utilizing supported cards like the Wyse Token Ring card, the Winterm 2300SE connects to token ring networks conforming to the IEEE 802.5 (for token ring) standards. Other optional PC cards, like modems, will be available as introduced.

SECURE ACCESS TO RESOURCES IN A NETWORKED ENVIRONMENT

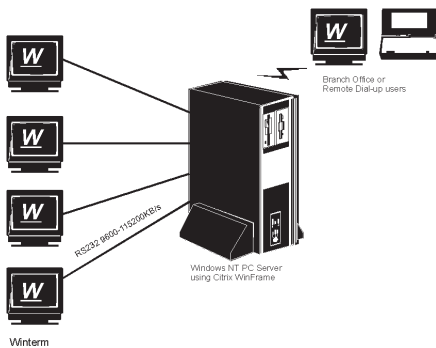
The Winterm 2300 is a low-cost, flexible way to add secure local, home, or remote access seats to a networked environment. Simply include a multiuser Windows NT application server to the network—then connect Winterm desktops anywhere on the network, including remote offices via WANs or modems. The result is high performance secure access to network applications and resources whether based on Windows, UNIX, or mainframes, as well as NetWare servers, printers, PCs, and other services.

Unlike similar products based on legacy X terminal technology, Winterm desktops can be deployed in situations that require compatibility with WANs, modems, and Internet-type connections because of the vastly lower connection bandwidth requirements of the ICA 3 protocol.

As the world's first cost-effective intranet-access devices, Winterm desktops are more advanced than character terminals and more efficient than X Terminals. They eliminate the need for users to maintain or upgrade their software as they would with desktop PCs. Plus, Winterm desktops are plug-and-play compatible with popular multiuser



Network connectivity provides robust access to all resources on the net, including Internet, NetWare file and print services, UNIX applications, and WFW clients.



Lowest cost local and remote access to Windows, Windows 95 and Windows NT productivity applications, plus database, e-mail and scheduling. High-speed serial capability provides flexibility and performance.

Windows NT application servers, providing a true PC-equivalent Windows display. A single 90 MHz Pentium™-based application server can support as many as ten seats. Faster Pentium or multiprocessor systems can support even more.

Winterm desktops communicate with the application server using a highly efficient protocol called ICA 3 developed by Citrix® Systems, Inc. The server communicates display information to the desktop as the Winterm client sends keyboard and mouse data through high-speed RS-232 serial connections, optional 10BaseT network connections, or PCMCIA Token Ring connection. To give users maximum flexibility, Winterm desktops support the most popular communications and network protocols, including TCP/IP with DNS and DHCP, and PPP for direct connection to networks and access to Internet-based servers through Internet service providers.

COST-EFFECTIVE BY ANY MEASURE

Wyse Winterm desktops offer a cost-effective way to deliver Windows applications—while delivering improved ease-of-use and reliability. By making the cost per seat dramatically lower than personal computers or X Terminals, Winterm desktops reduce the expense of acquisition, maintenance and help-desk functions. Long-term ownership costs are stable and predictable, too, since Winterm desktops don't need frequent CPU or memory upgrades as applications change. As true application display devices, Winterm clients don't rely on disk drives or battery-powered CMOS memory, reducing a major cause of "help-desk" calls and costs. Their training costs are lower too, because novice users can't accidentally make changes or add possibly virus-infected software that would crash their systems.

IMPROVED EASE-OF-USE AND SECURITY

Winterm desktops deliver the ease-of-use of Windows applications, and more. At power-up, the device can automatically place the user into a Windows session or an application. It can also display custom messages indicating the user's options while accepting keyboard or mouse input as the response. Designed to deploy security-sensitive applications, Winterm desktops include built-in multilevel security to ensure that only authorized personnel can access the server and network resources. Security works with Windows NT-based functions to grant users access only to authorized applications and data files.

In addition, home or remote office users enjoy the Winterm desktop's advanced support for modem dialing and other connection features, using asynchronous modem, Internet or ISDN connections.

WINTERM OPTIONS

WyseWorks® Terminal Suite for Windows NT: Software to integrate Windows, DOS, UNIX, and mainframe application access on your Winterm desktop

Add WyseWorks Terminal Suite software to the Windows NT application server, and deliver Wyse Winterm access to legacy applications written for the world's most popular character terminals. This 32-bit Windows NT suite of terminal emulations is perfect for seamless integration of character-based legacy and graphical Windows applications.

Wyse PCMCIA Token Ring Card

Designed especially for the Winterm SE product line, the token ring adapter works with IEEE 802.2 protocol.

Wyse PCMCIA Modem Card

Wyse PCMCIA modem cards are available in both United States and international versions. The modem cards provide a convenient way to maximize the remote usage of the Winterm 2300SE. Wyse international modem card supports over 30 different countries.

Winterm 2300

ERGONOMICS

- VESA monitor support
- Energy Saving: Automatic power down mode
- Power-on indicator light
- Video: Selectable between 640 x 480 pixel VGA, 800 x 600 and 1024 x 768 pixel Super VGA resolution
- Refresh rate: Flicker-free, 75 Hz; non-interlaced

TECHNOLOGY

- Memory: reprogrammable FLASH memory
- Video: Wyse high-end graphics engine
- RAM: Dynamic object caching
- VESA compatible monitor interface
- Auto detects PS/2 mouse or supported touch screens
- Integrated optimized ICA 3 decoding engine

SETUP

User Interface

- Mouse-, touchscreen-, or keyboard-driven fully graphic user interface
- Access security with password protection

Configuration

- Up to 32 user-definable server connections per terminal

NETWORKING

Winterm 2300T and 2300SE also include:

- TCP/IP w/DNS and DHCP
- Point-to-Point Protocol (PPP)

Winterm 2300SE only:

- Token Ring

APPLICATION SERVER OPERATING SYSTEMS SUPPORTED

Winterm is plug and play compatible with:

- Citrix WinFrame Family of Products
- Insignia Solutions NTrigue™
- NCD WinCenter Pro™
- Tektronix WinDD™
- Other server products supporting the ICA 3 protocol

KEYBOARD/MOUSE/ TOUCH SCREEN

- Design: Low-profile with two-position tilt; detachable 5 foot (1.5 meter) cable
- Layout: Enhanced PC-style (104 keys), International Enhanced PC-style (105 keys)
- Options: Localization kits
- Includes PS/2-style mouse
- Support for touch screen on PS/2 mouse port

COMMUNICATIONS

- Serial: two ports 16C550 (fifo) compatible, up to 115.2 Kbaud
Port 1: RS-423/232 DB-9M connector
Port 2: RS-232 DB-9M connector
- Parallel: Bi-directional Centronics compatible port, DB-25 connector
- Winterm 2300T and 2300SE also include: Ethernet 10BaseT, twisted pair media, 10 MHz network port
- Winterm 2300SE includes: PCMCIA Type II slot
- Optional PCMCIA cards:
 - Token ring card:
 - Data transfer rate: 4 or 16 Mbits/second 512K RAM buffer
 - Architecture: Token-passing ring protocol
 - Can be intermixed with IBM and other vendor 802.5 compliant token ring cards

- Conforms to the IEEE 802.5 and 802.2 standards
- Conforms to PCMCIA release 2.X standards
- PCMCIA U.S. modem card 33.6 Kbps, V.34
- PCMCIA international modem card 33.6 Kbps, V.34
- Others as introduced

SUPPORT UTILITIES

- Winterm firmware FLASH upgrade utility

PHYSICAL CHARACTERISTICS

- Height: 8.9 in (226 mm)
 - Width: 2.4 in (60 mm)
 - Depth: 6.9 in (174 mm)
- Shipping Weight:
▪ 12.5 lbs (5.5 kgs)

ENVIRONMENTAL

Temperature

- Convection cooling, fanless design
- Operating range: 32° to 104°F (0° to 40°C)
- Nonoperating range: -14° to 140°F (-10° to 60°C)

CUSTOMER SERVICE

The Wyse Customer Service Center offers a wide array of services and programs. For more information, or for the nearest Wyse Service Center, call 800-800-WYSE (800-800-9973).

INTERNATIONAL SALES OFFICES

Canada 888 997 3837
China 8610 264 1405
France 33 1 39 4400 44
Germany 49 89 460099 0
Hong Kong 852 2302 0883
Italy 39 2 9530 1817
Singapore 65 553 4900
Sweden 46 8 562 569 00
Taiwan 886 2 546 6207
United Kingdom 441 734 342 200
United States 408 473 1200

Humidity

- 10 to 95% non-condensing
- Altitude
- Operating range: 0 to 10,000 feet (0 to 3,048 meters)

POWER

- World-wide auto-sensing 90-264 VAC, 47-63 Hz

REGULATORY COMPLIANCE

Ergonomics

- German ZH1/618
- ISO 9241-3 approved

Safety

- UL 1950, CSA 950
- TÜV-GS approved
- EN 60950 approved
- NEMKO
- IEC 950

RF interference

- FCC class A
- CE mark

WARRANTY

- Three-year limited warranty within country of purchase

WYSE TECHNOLOGY

3471 N. First Street
San Jose, CA 95134-1803

**For more information, call:
800-GET-WYSE
(800-438-9973)**

**Visit our Web site at:
<http://www.wyse.com>**

**Or e-mail us at:
info@wyse.com**

WYSE
| | | |



I.S. EN ISO 9001

WYSE, WyseWorks and WY- are registered trademarks, and Winterm is a trademark of Wyse Technology Inc. Microsoft and Windows are registered trademarks of Microsoft Corporation. Citrix and ICA are registered trademarks of Citrix Systems, Inc. All other products are trademarks and/or registered trademarks of their respective companies. Specifications subject to change without notice. ©1997 Wyse Technology Inc. Printed in the United States on recycled paper.